

Recessed square luminaire, lay in, UGR19

A recessed/surface/suspended edge lit LED luminaire with a slim 12mm profile. Electronic - fixed output fixed output control gear.

Class II electrical, IP40 from below, IP20 from above, IK03.

Body: sheet steel white (RAL9016)

Diffuser: UV-stabilised, prismatic optic.

Electrical connection via push wire terminal blocks, loop in/loop out possible.

Complete with 4000K LED

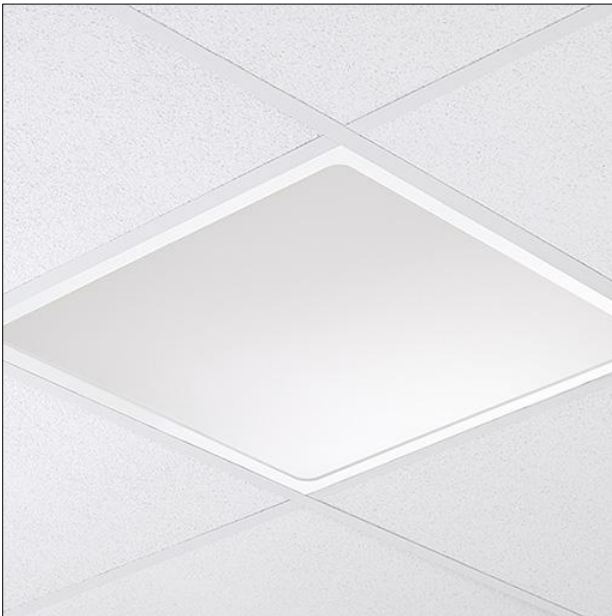
Dimensions: 597 x 597 x 12 mm

Total power: 32 W

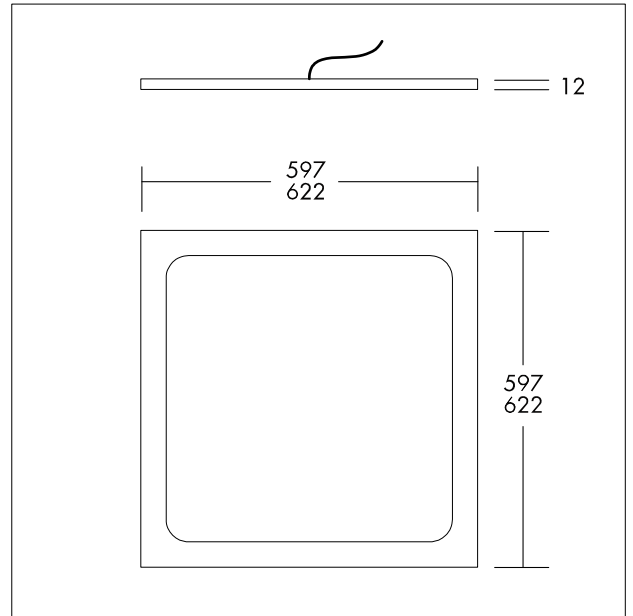
Luminaire luminous flux: 3400 lm

Luminaire efficacy: 106 lm/W

Weight: 4.77 kg



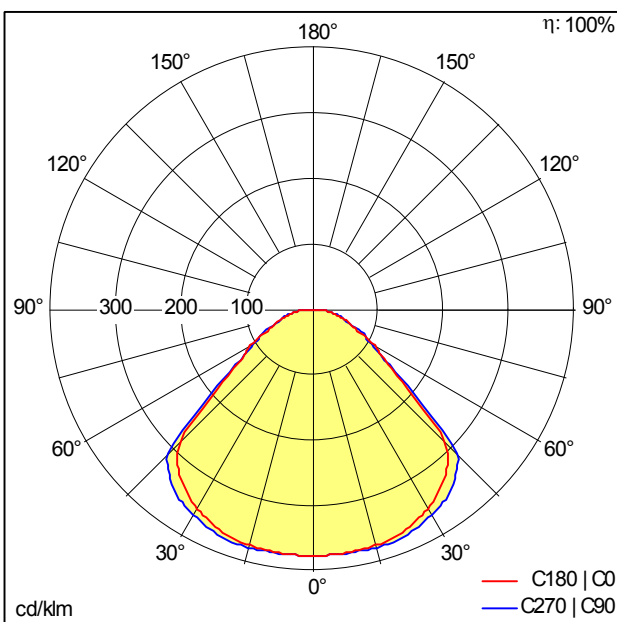
TE_GAMEO_F.jpg



TE_GAMEO_M_Gameo.wmf

Light Distribution

STD - standard



TE_Gameo_96629783_(STD).ldt

- Light Source: LED
- Luminaire luminous flux*: 3400 lm
- Luminaire efficacy*: 106 lm/W
- Colour Rendering Index min.: 80
- Ballast: 1 x 87500197 LCI 35W 700mA TEC SR
- Correlated colour temperature*: 4000 Kelvin
- Chromaticity tolerance (initial MacAdam)*: 5
- Rated median useful life*: 50000h L90 at 25°C
- Luminaire input power*: 32 W Lambda = 0.97
- Dimming: Fixed output