

Moisture-proof diffuser luminaire

An IP65 rated LED luminaire for high quality low energy lighting in wet, dusty environments. High quality opal diffuser ensures uniform lighting without visible spots. High efficacy, up to 60% energy saving compared with T8 fluorescent. The traditional design gives an aesthetically pleasing appearance – ideal for point for point replacement on refurbishment projects.

Canopy: polycarbonate

Diffuser: opal polycarbonate

Brackets: stainless steel

Complete with 4000K LED, 6000lm. Class I electrical, IP65, IK08.

Luminaire efficacy: 100 lm/W

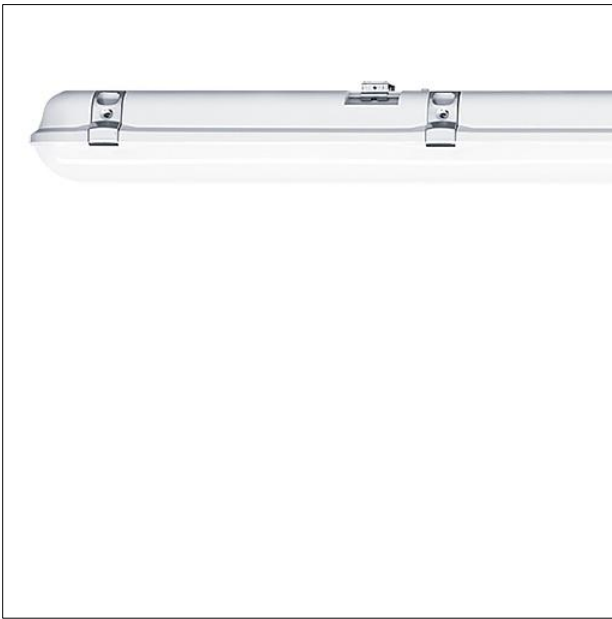
Colour Rendering Index min.: 80

Rated median useful life: 50000h L70B50 at 25°C

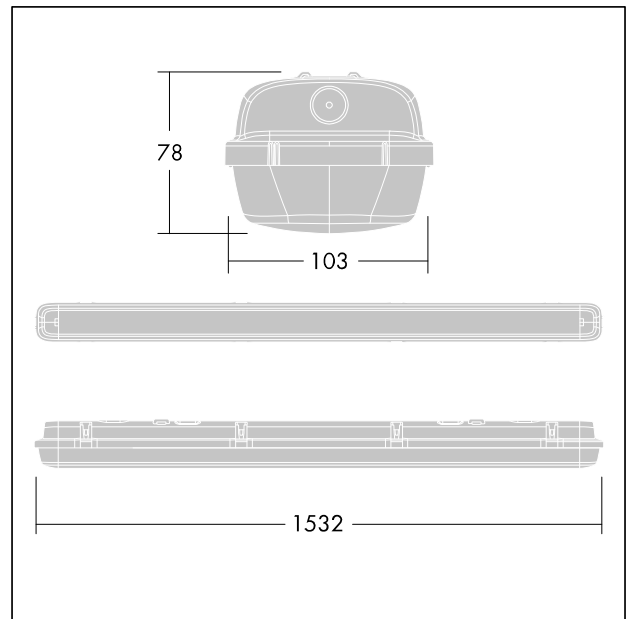
Dimensions: 1532 x 103 x 78mm

Total power: 60W

Weight: 1.95 kg



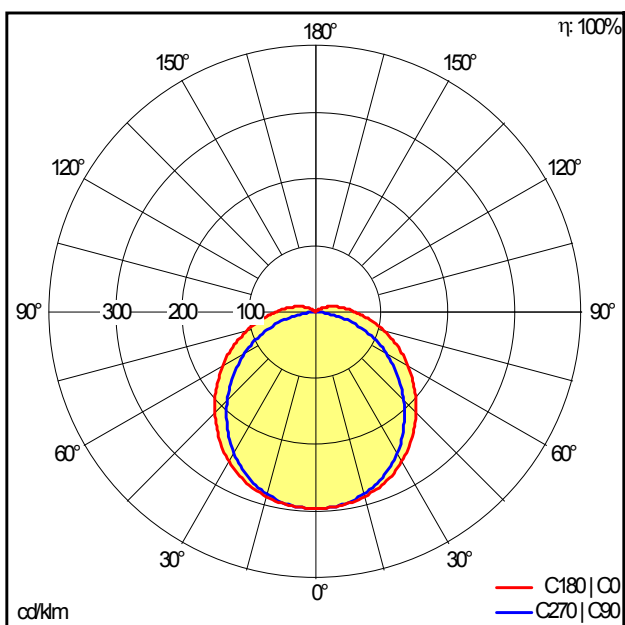
TE_JULI_F_side.jpg



TE_JULI_M_IILD2_1500.wmf

Light Distribution

STD - standard



JULIE_1500_LED_IP65_6000_840_D37534AA.ltd

- Light Source: LED
- Luminaire luminous flux*: 6000 lm
- Luminaire efficacy*: 100 lm/W
- Colour Rendering Index min.: 80
- Correlated colour temperature*: 4000 Kelvin
- Rated median useful life*: 50000h L70 at 25°C
- Ballast: 1x LED_Con
- Luminaire input power*: 60 W Lambda = 0.9