

LED ceiling-recessed luminaire

Recessed LED downlight, one for one replacement for traditional 2x26W compact fluorescent downlights.

Consistent light output with no shadowing.

High efficacy, up to 80% energy saving compared with fluorescent light sources.

200mm cut-out – identical to traditional products.

AMY LED can be installed into a wide range of ceiling types of 2-20mm thickness.

Body: Aluminium white finish (RAL 9003)

Diffuser: Polycarbonate

Complete with 4000K LED, 2000lm. Class I electrical, IP20, IK02, MacAdam (initial) 3.

Luminaire efficacy: 95 lm/W

Colour Rendering Index min.: 80

Rated median useful life: 50000h L70B50 at 25°C

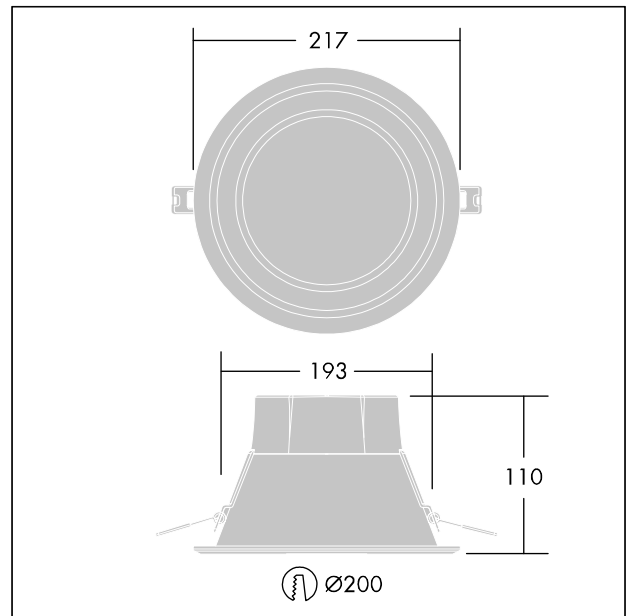
Dimensions: Ø217 x 110 mm

Total power: 21W

Weight: 0.36 kg



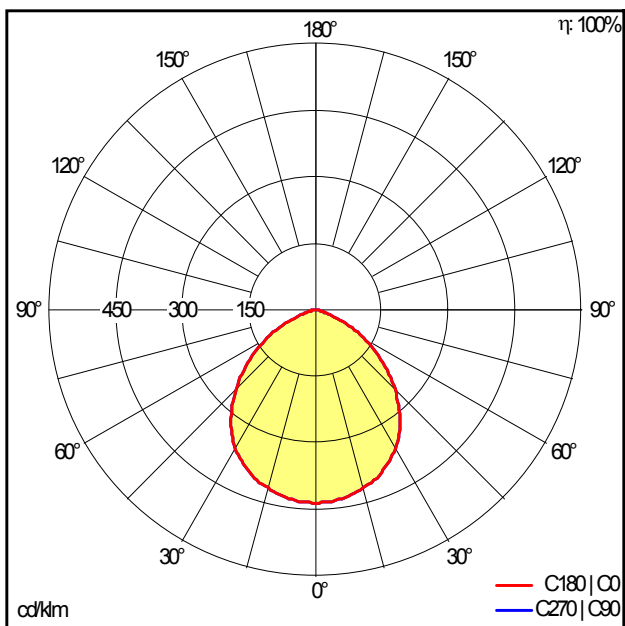
TE_AMY_F_200_persp.jpg



TE_AMY_M_LGE.wmf

Light Distribution

STD - standard



AMY_200_LED_DL_2000_830_D37428AA.idt

- Light Source: LED
- Luminaire luminous flux*: 2002 lm
- Luminaire efficacy*: 95 lm/W
- Colour Rendering Index min.: 80
- Correlated colour temperature*: 4000 Kelvin
- Rated median useful life*: 50000h L70 at 25°C
- Ballast: 1x LED_Con
- Luminaire input power*: 21 W Lambda = 0.9