

LED floodlight

Very lightweight, compact and streamline design. Universal mounting bracket allows wall or surface mounting with the possibility of tilting upwards or downwards. Pre-wired with 30 cm long mains cable and open cable ends with 1mm<sup>2</sup> cross section.

Materials:

Glass: Tempered glass

Reflector: Aluminium

Cover: Aluminum die-cast

Mounting bracket: Aluminum die-cast

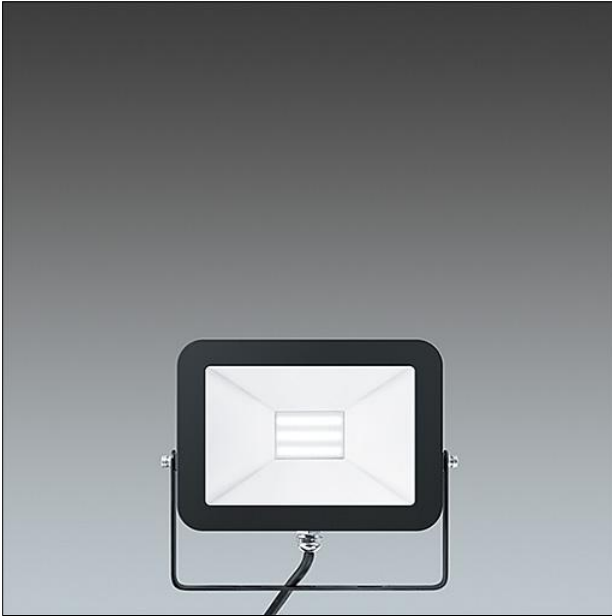
Complete with 4000K LED, 2400lm. Class I electrical, IP65, IK08.

Luminaire efficacy: 80 lm/W

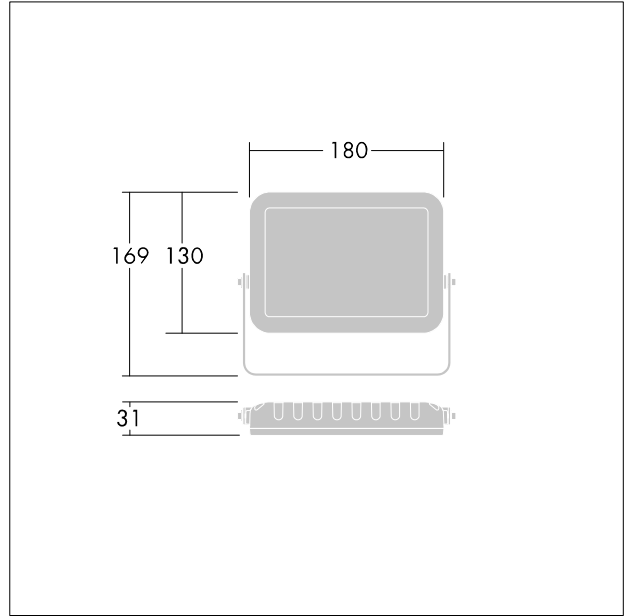
Colour Rendering Index min.: 80

Rated median useful life: 35.000h L70B50 at 25°C

Weight: 0.75 kg



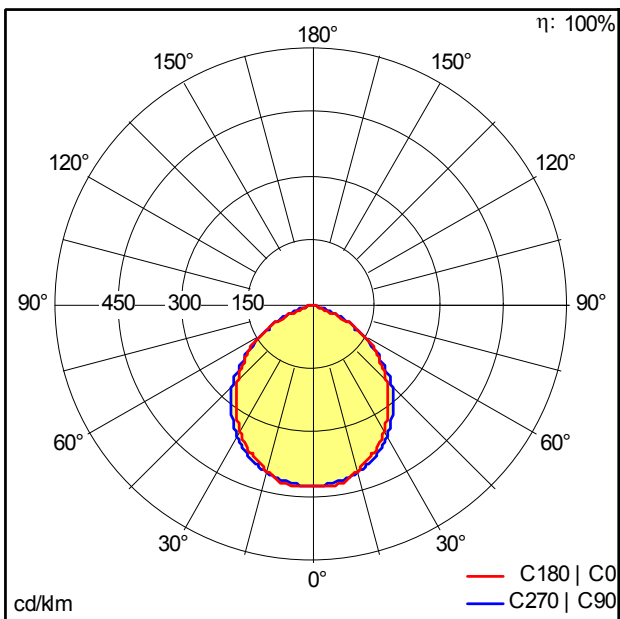
TE\_ALICE\_F\_180.jpg



TE\_ALIC\_M\_30W\_LD.wmf

Light Distribution

STD - standard



TE\_ALICE\_LED\_FL\_IP65\_30W\_840.idt

- Light Source: LED
- Luminaire luminous flux\*: 2402 lm
- Luminaire efficacy\*: 80 lm/W
- Colour Rendering Index min.: 80
- Correlated colour temperature\*: 4000 Kelvin
- Chromaticity tolerance (initial MacAdam)\*: 6
- Rated median useful life\*: 35000h L70 at 25°C
- Ballast: 1x LED\_Con
- Luminaire input power\*: 30 W Lambda = 0.9