

LED ceiling-recessed luminaire

Uniform light surface. Product height of only 12 mm: fits various ceiling types. Replaces conventional downlights with 2 x 18 W CFL and offers up to 50 % energy saving.

External connector box for easy and quick installation.

Materials:

Body: Aluminum, white finish (RAL9003)

Diffuser: Polycarbonate (TPb construction)

Complete with 4000K LED, 1500lm. Class II electrical, IP44, IK02.

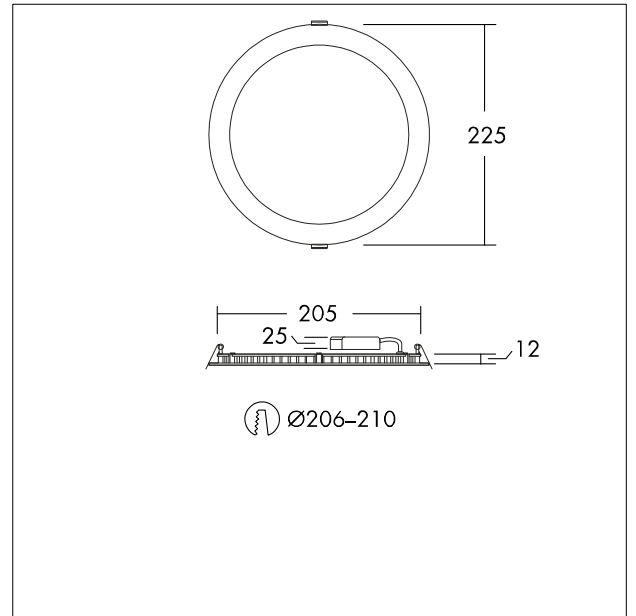
Luminaire efficacy: 83 lm/W

Rated median useful life: 25.000h L70B50 at 25°C

Weight: 0.55 kg



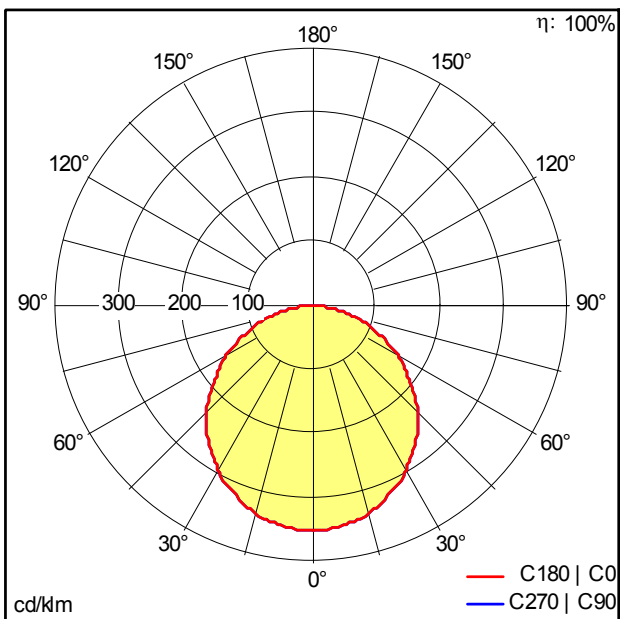
TE_ZOE_F_220.jpg



TE_ZOEL_M_225mm.wmf

Light Distribution

STD - standard



TE_ZOE_LED_DL_210_1500_840.idt

- Light Source: LED
- Luminaire luminous flux*: 1500 lm
- Luminaire efficacy*: 83 lm/W
- Colour Rendering Index min.: 80
- Correlated colour temperature*: 4000 Kelvin
- Chromaticity tolerance (initial MacAdam)*: 5
- Rated median useful life*: 25000h L70 at 25°C
- Ballast: 1x LED_Con
- Luminaire input power*: 18 W Lambda = 0.9