

This really attractive looking fitting will replace traditional 2 x 18w or 2 x 36w or 1 x 70W t8, or equivalent t5 whilst providing significant energy savings of over 50%. Complying with current and foreseeable efficacy requirements they will be instrumental in reducing the carbon footprint of the building with no maintenance costs associated with traditional tube failures.



Applications:

- Small kitchen or Canteen areas
- Stationery Store Rooms
- Health Centre Waiting Rooms
- Car garage, Shed or Workshop
- Utility rooms
- Work Stations

Construction:

- Extruded Aluminium Base
- White polycarbonate end caps
- Opal polycarbonate diffuser

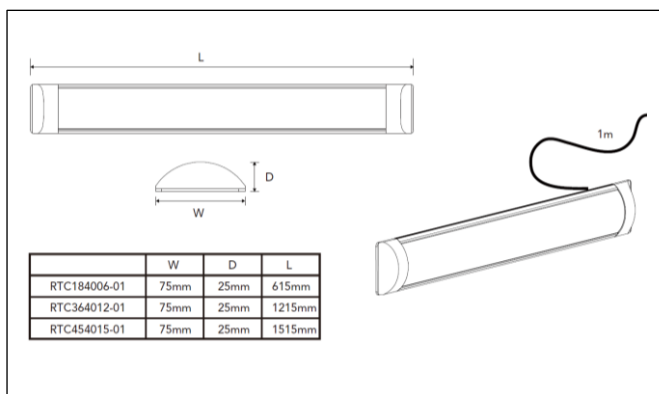
Features:

- Strong IKo8 rated with UV stabilised white polycarbonate end caps and curved high efficiency polycarbonate opal diffuser
- Low profile white powder coated extruded Aluminium body
- Utilises high quality long life surface mount LED technology:
 - Provides superb light output
 - Exceptionally low power consumption
 - Ensures lumen depreciation & CCT shift is minimised
 - Long rated LED life of 30,000 hours
 - High efficacy
- Colour temperature of 4000k with high CRI
- Rugged solid state lighting technology with no heat filaments or electrodes to fail
- Uses a dedicated LED plate not LED tubes
- Complete with clip-fix stainless steel surface mount brackets
- Pre-wired with 1m 3 core flex
- Cable channel extruded into base

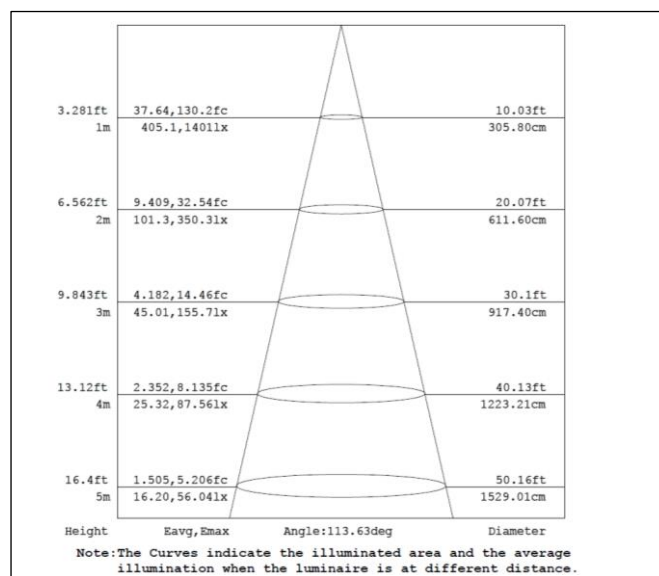
Benefits:

- Attractive aesthetics
- Strong and durable with anti-vandal properties
- Allows maximum light transmission with low glare
- Provides Impact Rating of IK08 so resistant to accidental damage
- Will not corrode so provides long physical life to match LED's
- Quality product using quality materials
- Slim and less intrusive into the lit space
- Provides excellent thermal management with good heat conduction and dissipation properties for cooler operation to ensure long component life
- Provides:
 - Comparable light output to T8 so is a one for one replacement
 - Makes energy savings of over 50%
 - Light output and colour is consistent over life
 - No maintenance cost for replacement tubes or access equipment
 - Provides compliance with current & foreseeable efficacy requirements
- Ideal for task and security lighting whilst providing clear visibility
- Less susceptible to failure due to building vibration caused by traffic or hot/cold temperature variations
- Can be switched by microwave, PIR and/or photocell which is detrimental to life of traditional light sources so provides even greater energy savings when lighting not required
- Provides more efficient thermal management for long life
- Non rusting mounting system for long life and continued aesthetics
- Fitting simply clips into brackets
- Fitting does not need to be opened
- Allows for easier cable termination into ceiling void

Product Code:	RTC184006-01	RTC364012-01	RTC454015-01
Comparable to T8 Fluorescent (w):	2x18	2x36	70
Total Power (W):	18.7	34.3	43.4
Total Light Output (lm):	1810	3640	4340
Efficacy (lm / cctW):	97	106	100
Rated Life (hrs):	30000	30000	30000
Warranty (yrs):	2	2	2
Illuminance at 1m (lux):	600	1200	1400
Beam Angle (deg):	120	120	120
CCT (K):	4000	4000	4000
CRI (Ra):	80	80	80
Ingress Protection (IP):	20	20	20
Impact Rating (IK):	IK08	IK08	IK08
Operating Temperature (°C):	-20 ≤ Ta ≤ +40	-20 ≤ Ta ≤ +40	-20 ≤ Ta ≤ +40
Operating Voltage (Vac):	220-240	220-240	220-240
Power Factor (PF):	0.95	0.95	0.95
Height (mm):	25	25	25
Length (mm):	615	1215	1515
Width (mm):	75	75	75
Box Qty:	1	1	1
Weight (kg):	0.42	0.8	1.1



Cone Illuminance Diagram:



Standards & Approvals:

Complies with: EN 60598-1, EN 55015, EN61547, EN 61000-3-2, EN 61000-3-3



Polar Intensity Diagram:

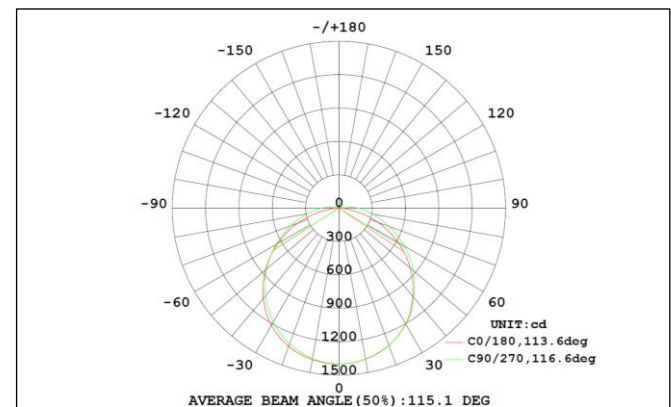


Diagram for RTC454015-01. Other diagrams available on request

Diagram for RTC454015-01. Other diagrams available on request